



ADAPTERS

Diversity of options



Adapters and connectors

Diversity of options

Adaptions are mandatory to connect different hydraulics parts. We are at hand as your experienced partner that can offer the widest array of adaptors due to our vertical range of manufacture.



Fast and safe variants

For the connections, we replace the traditional, expensive cutting ring solutions with fast-mounting adapters. With the use of O-Ring versions, such as for DKOL and DKOS connections, safety has topmost priority, especially at high pressures.

Adapters

- for screw-in solutions
- for angle solutions
- for connection solutions

Whether it be a suction application or the high-pressure range - we make a safe connection!

Connectors

- for enlarging
- for reducing
- Double connectors

We manufacture connectors in the straight version, in 45°- and 90°- versions at short notice and in reliable quality in the copper brazing process.

More than 400 metric connectors

International standards:

SAE, JIC, BSP, NPT, ORFS, DIN

Quickly mountable adapters, O-ring designs

Table of Contents

GVO straight	4
45 VO	8
90 VO	10
KOVO straight	12
KOVO 45°	16
KOVO 90°	18
Weld-on branch	20
Threaded branch	21
Straight connector	22

Updated at: 14.09.2023

ADAPTERS

Adapters

GVO straight

Updated at:
24.05.2022

connection

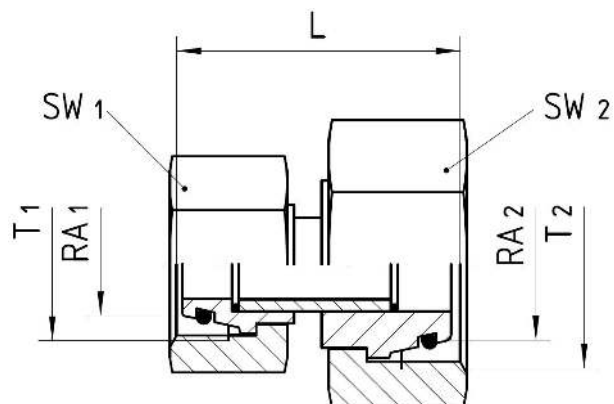
both sides: 24° external cone O-ring sealing with metric nut L/S series

Material

Steel

Surface protection

Zinc-electroplated



Order no.	RA1	RA2	T1	T2	SW1 in mm	SW2 in mm	L±2 in mm
GVO 6-L/ 6-L	6-L	6-L	M 12x1.5	M 12x1.5	14	14	28
GVO 6-L/ 8-L	6-L	8-L	M 12x1.5	M 14x1.5	14	17	31
GVO 6-L/10-L	6-L	10-L	M 12x1.5	M 16x1.5	14	19	32
GVO 6-L/ 6-S	6-L	6-S	M 12x1.5	M 14x1.5	14	17	28
GVO 6-L/ 8-S	6-L	8-S	M 12x1.5	M 16x1.5	14	19	31
GVO 6-L/10-S	6-L	10-S	M 12x1.5	M 18x1.5	14	22	32
GVO 6-S/ 6-S	6-S	6-S	M 14x1.5	M 14x1.5	17	17	28
GVO 6-S/ 8-S	6-S	8-S	M 14x1.5	M 16x1.5	17	19	31
GVO 6-S/10-S	6-S	10-S	M 14x1.5	M 18x1.5	17	22	32
GVO 8-L/ 8-L	8-L	8-L	M 14x1.5	M 14x1.5	17	17	32

Order no.	RA1	RA2	T1	T2	SW1 in mm	SW2 in mm	L±2 in mm
GVO 8-L/10-L	8-L	10-L	M 14x1.5	M 16x1.5	17	19	34
GVO 8-L/12-L	8-L	12-L	M 14x1.5	M 18x1.5	17	22	34
GVO 8-L/ 8-S	8-L	8-S	M 14x1.5	M 16x1.5	17	19	33
GVO 8-L/10-S	8-L	10-S	M 14x1.5	M 18x1.5	17	22	34
GVO 8-L/12-S	8-L	12-S	M 14x1.5	M 20x1.5	17	24	33
GVO 8-S/ 8-S	8-S	8-S	M 16x1.5	M 16x1.5	19	19	33
GVO 8-S/10-S	8-S	10-S	M 16x1.5	M 18x1.5	19	22	35
GVO 8-S/12-S	8-S	12-S	M 16x1.5	M 20x1.5	19	24	33
GVO 10-L/10-L	10-L	10-L	M 16x1.5	M 16x1.5	19	19	39
GVO 10-L/12-L	10-L	12-L	M 16x1.5	M 18x1.5	19	22	38
GVO 10-L/15-L	10-L	15-L	M 16x1.5	M 22x1.5	19	27	37
GVO 10-L/10-S	10-L	10-S	M 16x1.5	M 18x1.5	19	22	39
GVO 10-L/12-S	10-L	12-S	M 16x1.5	M 20x1.5	19	24	37
GVO 10-L/14-S	10-L	14-S	M 16x1.5	M 22x1.5	19	27	39
GVO 10-L/16-S	10-L	16-S	M 16x1.5	M 24x1.5	19	30	39
GVO 10-S/10-S	10-S	10-S	M 18x1.5	M 18x1.5	22	22	39
GVO 10-S/12-S	10-S	12-S	M 18x1.5	M 20x1.5	22	24	37
GVO 10-S/14-S	10-S	14-S	M 18x1.5	M 22x1.5	22	27	39
GVO 12-L/12-L	12-L	12-L	M 18x1.5	M 18x1.5	22	22	37
GVO 12-L/15-L	12-L	15-L	M 18x1.5	M 22x1.5	22	27	36
GVO 12-L/18-L	12-L	18-L	M 18x1.5	M 26x1.5	22	32	36
GVO 12-L/12-S	12-L	12-S	M 18x1.5	M 20x1.5	22	24	37
GVO 12-L/14-S	12-L	14-S	M 18x1.5	M 22x1.5	22	27	38
GVO 12-L/16-S	12-L	16-S	M 18x1.5	M 24x1.5	22	30	38
GVO 12-L/20-S	12-L	20-S	M 18x1.5	M 30x2,0	22	36	41
GVO 12-S/12-S	12-S	12-S	M 20x1.5	M 20x1.5	24	24	36
GVO 12-S/14-S	12-S	14-S	M 20x1.5	M 22x1.5	24	27	38
GVO 12-S/16-S	12-S	16-S	M 20x1.5	M 24x1.5	24	30	38
GVO 14-S/15-L	14-S	15-L	M 22x1.5	M 22x1.5	27	27	37
GVO 14-S/18-L	14-S	18-L	M 22x1.5	M 26x1.5	27	32	37
GVO 14-S/14-S	14-S	14-S	M 22x1.5	M 22x1.5	27	27	39
GVO 14-S/16-S	14-S	16-S	M 22x1.5	M 24x1.5	27	30	39
GVO 14-S/20-S	14-S	20-S	M 22x1.5	M 30x2,0	27	36	42
GVO 15-L/15-L	15-L	15-L	M 22x1.5	M 22x1.5	27	27	39
GVO 15-L/18-L	15-L	18-L	M 22x1.5	M 26x1.5	27	32	39
GVO 15-L/22-L	15-L	22-L	M 22x1.5	M 30x2,0	27	36	39
GVO 15-L/16-S	15-L	16-S	M 22x1.5	M 24x1.5	27	30	41
GVO 15-L/20-S	15-L	20-S	M 22x1.5	M 30x2,0	27	36	44
GVO 15-L/25-S	15-L	25-S	M 22x1.5	M 36x2,0	27	46	44
GVO 16-S/18-L	16-S	18-L	M 24x1.5	M 26x1.5	30	36	41

ADAPTERS

Order no.	RA1	RA2	T1	T2	SW1 in mm	SW2 in mm	L±2 in mm
GVO 16-S/22-L	16-S	22-L	M 24x1.5	M 30x2,0	30	30	40
GVO 16-S/16-S	16-S	16-S	M 24x1.5	M 24x1.5	30	36	42
GVO 16-S/20-S	16-S	20-S	M 24x1.5	M 30x2,0	30	46	45
GVO 16-S/25-S	16-S	25-S	M 24x1.5	M 36x2,0	30	32	46
GVO 18-L/18-L	18-L	18-L	M 26x1.5	M 26x1.5	32	36	40
GVO 18-L/22-L	18-L	22-L	M 26x1.5	M 30x2,0	32	41	41
GVO 18-L/28-L	18-L	28-L	M 26x1.5	M 36x2,0	32	36	42
GVO 18-L/20-S	18-L	20-S	M 26x1.5	M 30x2,0	32	46	45
GVO 18-L/25-S	18-L	25-S	M 26x1.5	M 36x2,0	32	50	47
GVO 18-L/30-S	18-L	30-S	M 26x1.5	M 42x2,0	32	50	45
GVO 20-S/22-L	20-S	22-L	M 30x2,0	M 30x2,0	36	36	46
GVO 20-S/28-L	20-S	28-L	M 30x2,0	M 36x2,0	36	41	46
GVO 20-S/20-S	20-S	20-S	M 30x2,0	M 30x2,0	36	36	52
GVO 20-S/25-S	20-S	25-S	M 30x2,0	M 36x2,0	36	46	51
GVO 20-S/30-S	20-S	30-S	M 30x2,0	M 42x2,0	36	50	52
GVO 22-L/22-L	22-L	22-L	M 30x2,0	M 30x2,0	36	36	43
GVO 22-L/28-L	22-L	28-L	M 30x2,0	M 36x2,0	36	41	44
GVO 22-L/35-L	22-L	35-L	M 30x2,0	M 45x2,0	36	50	51
GVO 22-L/25-S	22-L	25-S	M 30x2,0	M 36x2,0	36	46	48
GVO 22-L/30-S	22-L	30-S	M 30x2,0	M 42x2,0	36	50	48
GVO 22-L/38-S	22-L	38-S	M 30x2,0	M 52x2,0	36	60	55
GVO 25-S/28-L	25-S	28-L	M 36x2,0	M 36x2,0	46	41	49
GVO 25-S/35-L	25-S	35-L	M 36x2,0	M 45x2,0	46	50	64
GVO 25-S/25-S	25-S	25-S	M 36x2,0	M 36x2,0	46	46	52
GVO 25-S/30-S	25-S	30-S	M 36x2,0	M 42x2,0	46	50	52
GVO 25-S/38-S	25-S	38-S	M 36x2,0	M 52x2,0	46	60	59
GVO 28-L/28-L	28-L	28-L	M 36x2,0	M 36x2,0	41	41	44
GVO 28-L/35-L	28-L	35-L	M 36x2,0	M 45x2,0	41	50	46
GVO 28-L/42-L	28-L	42-L	M 36x2,0	M 52x2,0	41	60	51
GVO 28-L/30-S	28-L	30-S	M 36x2,0	M 42x2,0	41	50	46
GVO 28-L/38-S	28-L	38-S	M 36x2,0	M 52x2,0	41	60	54
GVO 30-S/35-L	30-S	35-L	M 42x2,0	M 45x2,0	50	50	53
GVO 30-S/42-L	30-S	42-L	M 42x2,0	M 52x2,0	50	60	53
GVO 30-S/30-S	30-S	30-S	M 42x2,0	M 42x2,0	50	50	54
GVO 30-S/38-S	30-S	38-S	M 42x2,0	M 52x2,0	50	60	57
GVO 35-L/35-L	35-L	35-L	M 45x2,0	M 45x2,0	50	50	53
GVO 35-L/42-L	35-L	42-L	M 45x2,0	M 52x2,0	50	60	54
GVO 35-L/38-S	35-L	38-S	M 45x2,0	M 52x2,0	50	60	58
GVO 38-S/42-L	38-S	42-L	M 52x2,0	M 52x2,0	60	60	54
GVO 38-S/38-S	38-S	38-S	M 52x2,0	M 52x2,0	60	60	57

Order no.	RA1	RA2	T1	T2	SW1 in mm	SW2 in mm	L±2 in mm
GVO 42-L/42-L	42-L	42-L	M 52x2,0	M 52x2,0	60	60	51
GVO 50-S/50-S	50-S	50-S	M 68x2,0	M 68x2,0	80	80	73

Accessories

O-ring DKOL/DKOS

Optionen

deviating angle and dimensions on request

ADAPTERS

Adapters 45 VO

Updated at:
24.05.2022

connection

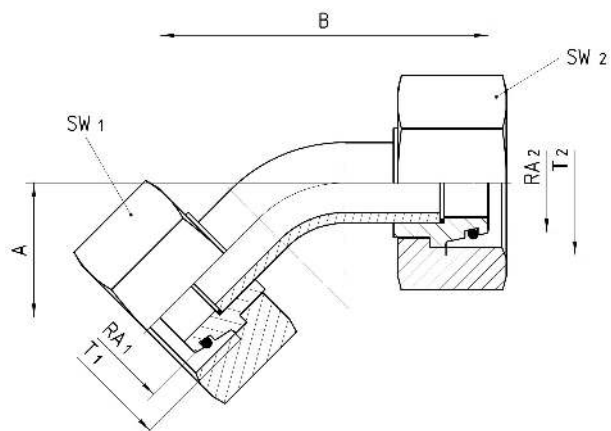
both sides: 24° external cone O-ring sealing with metric nut L/S series

Material

Steel

Surface protection

Zinc-electroplated



Order no.	RA1	RA2	T1	T2	SW1 in mm	SW2 in mm	A±3 in mm	B±3 in mm
45VO 6-L/ 6-L	6-L	6-L	M 12x1.5	M 12x1.5	14	14	17	48
45VO 6-S/ 6-S	6-S	6-S	M 14x1.5	M 14x1.5	17	17	16	47
45VO 8-L/ 8-L	8-L	8-L	M 14x1.5	M 14x1.5	17	17	19	52
45VO 8-S/ 8-S	8-S	8-S	M 16x1.5	M 16x1.5	19	19	18	51
45VO 10-L/10-L	10-L	10-L	M 16x1.5	M 16x1.5	19	19	23	58
45VO 10-S/10-S	10-S	10-S	M 18x1.5	M 18x1.5	22	22	22	53
45VO 12-L/12-L	12-L	12-L	M 18x1.5	M 18x1.5	22	22	23	55
45VO 12-S/12-S	12-S	12-S	M 20x1.5	M 20x1.5	24	24	20	52
45VO 14-S/14-S	14-S	14-S	M 22x1.5	M 22x1.5	27	27	22	58
45VO 15-L/15-L	15-L	15-L	M 22x1.5	M 22x1.5	27	27	23	64

Order no.	RA1	RA2	T1	T2	SW1 in mm	SW2 in mm	A±3 in mm	B±3 in mm
45VO 16-S/16-S	16-S	16-S	M 24x1.5	M 24x1.5	30	30	24	66
45VO 18-L/18-L	18-L	18-L	M 26x1.5	M 26x1.5	32	32	24	63
45VO 20-S/20-S	20-S	20-S	M 30x2,0	M 30x2,0	36	36	27	71
45VO 22-L/22-L	22-L	22-L	M 30x2,0	M 30x2,0	36	36	32	76
45VO 25-S/25-S	25-S	25-S	M 36x2,0	M 36x2,0	46	46	34	81
45VO 28-L/28-L	28-L	28-L	M 36x2,0	M 36x2,0	41	41	32	74
45VO 30-S/30-S	30-S	30-S	M 42x2,0	M 42x2,0	50	50	33	81
45VO 35-L/35-L	35-L	35-L	M 45x2,0	M 45x2,0	50	50	34	82
45VO 38-S/38-S	38-S	38-S	M 52x2,0	M 52x2,0	60	60	38	91
45VO 42-L/42-L	42-L	42-L	M 52x2,0	M 52x2,0	60	60	38	90

Accessories

O-ring DKOL/DKOS

Optionen

deviating angle and dimensions on request

Adapters 90 VO

Updated at:
24.05.2022

connection

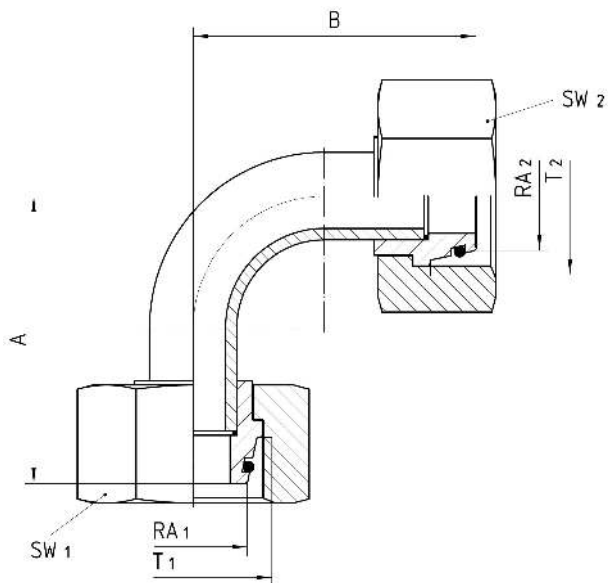
both sides: 24° external cone O-ring sealing with metric nut L/S series

Material

Steel

Surface protection

Zinc-electroplated



Order no.	RA1	RA2	T1	T2	SW1 in mm	SW2 in mm	A±3 in mm	B±3 in mm
90VO 6-L/ 6-L	6-L	6-L	M 12x1.5	M 12x1.5	14	14	26	26
90VO 6-S/ 6-S	6-S	6-S	M 14x1.5	M 14x1.5	17	17	26	26
90VO 8-L/ 8-L	8-L	8-L	M 14x1.5	M 14x1.5	17	17	30	30
90VO 8-S/ 8-S	8-S	8-S	M 16x1.5	M 16x1.5	19	19	31	31
90VO 10-L/10-L	10-L	10-L	M 16x1.5	M 16x1.5	19	19	34	34
90VO 10-S/10-S	10-S	10-S	M 18x1.5	M 18x1.5	22	22	35	35
90VO 12-L/12-L	12-L	12-L	M 18x1.5	M 18x1.5	22	22	34	34
90VO 12-S/12-S	12-S	12-S	M 20x1.5	M 20x1.5	24	24	36	36

Order no.	RA1	RA2	T1	T2	SW1 in mm	SW2 in mm	A±3 in mm	B±3 in mm
90VO 14-S/14-S	14-S	14-S	M 22x1.5	M 22x1.5	27	27	37	37
90VO 15-L/15-L	15-L	15-L	M 22x1.5	M 22x1.5	27	27	43	43
90VO 16-S/16-S	16-S	16-S	M 24x1.5	M 24x1.5	30	30	45	45
90VO 18-L/18-L	18-L	18-L	M 26x1.5	M 26x1.5	32	32	49	49
90VO 20-S/20-S	20-S	20-S	M 30x2,0	M 30x2,0	36	36	54	54
90VO 22-L/22-L	22-L	22-L	M 30x2,0	M 30x2,0	36	36	62	62
90VO 25-S/25-S	25-S	25-S	M 36x2,0	M 36x2,0	46	46	65	65
90VO 28-L/28-L	28-L	28-L	M 36x2,0	M 36x2,0	41	41	71	71
90VO 30-S/30-S	30-S	30-S	M 42x2,0	M 42x2,0	50	50	76	76
90VO 35-L/35-L	35-L	35-L	M 45x2,0	M 45x2,0	50	50	84	84
90VO 38-S/38-S	38-S	38-S	M 52x2,0	M 52x2,0	60	60	84	84
90VO 42-L/42-L	42-L	42-L	M 52x2,0	M 52x2,0	60	60	90	90

Accessories

O-ring DKOL/DKOS

Optionen

deviating angle and dimensions on request

Adapters

KOVO straight

Updated at:
13.01.2023

connection

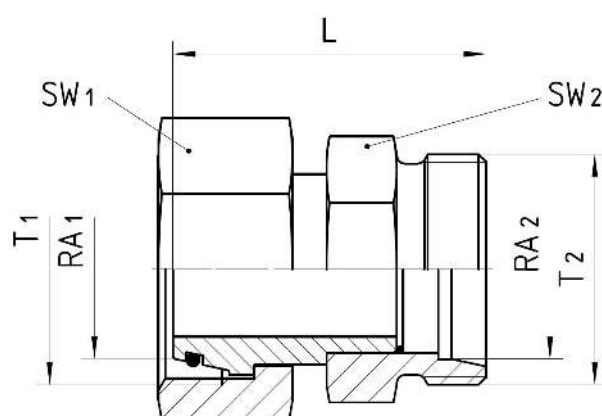
One side: sealing head 24° external cone o-ring sealing with metric nut L / S-series Other side: metric external thread with 24° internal one and pipe connection L / S-series

Material

Steel

Surface protection

Zinc-electroplated



Order no.	RA1	RA2	T1	T2	SW1 in mm	SW2 in mm	L±2 in mm	Note
KOVO 6-L/ 6-L	6-L	6-L	M 12x1.5	M 12x1.5	14	12	33	
KOVO 6-L/ 8-L	6-L	8-L	M 12x1.5	M 14x1.5	14	14	32	
KOVO 6-L/10-L	6-L	10-L	M 12x1.5	M 16x1.5	14	17	34	
KOVO 6-L/ 6-S	6-L	6-S	M 12x1.5	M 14x1.5	14	14	35	
KOVO 6-L/ 8-S	6-L	8-S	M 12x1.5	M 16x1.5	14	17	35	
KOVO 6-L/10-S	6-L	10-S	M 12x1.5	M 18x1.5	17	19	35	
KOVO 6-S/ 6-L	6-S	6-L	M 14x1.5	M 12x1.5	17	12	31	
KOVO 6-S/ 6-S	6-S	6-S	M 14x1.5	M 14x1.5	17	14	34	
KOVO 6-S/ 8-S	6-S	8-S	M 14x1.5	M 16x1.5	17	17	34	
KOVO 6-S/10-S	6-S	10-S	M 14x1.5	M 18x1.5	17	19	34	

Order no.	RA1	RA2	T1	T2	SW1 in mm	SW2 in mm	L±2 in mm	Note
KOVO 8-L/ 8-L	8-L	8-L	M 14x1.5	M 14x1.5	17	14	34	
KOVO 8-L/10-L	8-L	10-L	M 14x1.5	M 16x1.5	17	17	37	
KOVO 8-L/12-L	8-L	12-L	M 14x1.5	M 18x1.5	17	19	36	
KOVO 8-L/ 8-S	8-L	8-S	M 14x1.5	M 16x1.5	17	14	37	
KOVO 8-L/10-S	8-L	10-S	M 14x1.5	M 18x1.5	17	19	37	
KOVO 8-L/12-S	8-L	12-S	M 14x1.5	M 20x1.5	17	22	37	
KOVO 8-S/ 8-L	8-S	8-L	M 16x1.5	M 14x1.5	19	14	35	
KOVO 8-S/ 8-S	8-S	8-S	M 16x1.5	M 16x1.5	19	17	38	
KOVO 8-S/10-S	8-S	10-S	M 16x1.5	M 18x1.5	19	19	38	
KOVO 8-S/12-S	8-S	12-S	M 16x1.5	M 20x1.5	19	22	38	
KOVO 10-L/10-L	10-L	10-L	M 16x1.5	M 16x1.5	19	17	36	
KOVO 10-L/12-L	10-L	12-L	M 16x1.5	M 18x1.5	19	19	36	
KOVO 10-L/15-L	10-L	15-L	M 16x1.5	M 22x1.5	19	22	38	
KOVO 10-L/10-S	10-L	10-S	M 16x1.5	M 18x1.5	19	19	37	
KOVO 10-L/12-S	10-L	12-S	M 16x1.5	M 20x1.5	19	22	37	
KOVO 10-L/14-S	10-L	14-S	M 16x1.5	M 22x1.5	19	22	40	
KOVO 10-L/16-S	10-L	16-S	M 16x1.5	M 24x1.5	19	27	41	
KOVO 10-S/10-L	10-S	10-L	M 18x1.5	M 16x1.5	22	17	38	
KOVO 10-S/10-S	10-S	10-S	M 18x1.5	M 18x1.5	22	19	39	
KOVO 10-S/12-S	10-S	12-S	M 18x1.5	M 20x1.5	22	22	39	
KOVO 10-S/14-S	10-S	14-S	M 18x1.5	M 22x1.5	22	22	42	
KOVO 10-S/16-S	10-S	16-S	M 18x1.5	M 24x1.5	22	27	43	
KOVO 12-L/12-L	12-L	12-L	M 18x1.5	M 18x1.5	22	19	36	
KOVO 12-L/15-L	12-L	15-L	M 18x1.5	M 22x1.5	22	22	38	
KOVO 12-L/18-L	12-L	18-L	M 18x1.5	M 26x1.5	22	27	39	
KOVO 12-L/12-S	12-L	12-S	M 18x1.5	M 20x1.5	22	22	37	
KOVO 12-L/14-S	12-L	14-S	M 18x1.5	M 22x1.5	22	22	40	
KOVO 12-L/16-S	12-L	16-S	M 18x1.5	M 24x1.5	22	27	41	
KOVO 12-S/12-L	12-S	12-L	M 20x1.5	M 18x1.5	22	19	40	
KOVO 12-S/12-S	12-S	12-S	M 20x1.5	M 20x1.5	22	22	41	
KOVO 12-S/14-S	12-S	14-S	M 20x1.5	M 22x1.5	24	22	44	
KOVO 12-S/16-S	12-S	16-S	M 20x1.5	M 24x1.5	24	27	45	
KOVO 12-S/20-S	12-S	20-S	M 20x1.5	M 30x2,0	24	30	48	
KOVO 14-S/15-L	14-S	15-L	M 22x1.5	M 22x1.5	27	22	43	
KOVO 14-S/18-L	14-S	18-L	M 22x1.5	M 26x1.5	27	27	44	
KOVO 14-S/14-S	14-S	14-S	M 22x1.5	M 22x1.5	27	22	45	
KOVO 14-S/16-S	14-S	16-S	M 22x1.5	M 24x1.5	27	27	46	
KOVO 14-S/20-S	14-S	20-S	M 22x1.5	M 30x2,0	27	30	49	
KOVO 15-L/15-L	15-L	15-L	M 22x1.5	M 22x1.5	27	22	42	
KOVO 15-L/18-L	15-L	18-L	M 22x1.5	M 26x1.5	27	27	42	

Order no.	RA1	RA2	T1	T2	SW1 in mm	SW2 in mm	L±2 in mm	Note
KOVO 15-L/22-L	15-L	22-L	M 22x1.5	M 30x2,0	27	30	45	
KOVO 15-L/16-S	15-L	16-S	M 22x1.5	M 24x1.5	27	27	45	
KOVO 15-L/20-S	15-L	20-S	M 22x1.5	M 30x2,0	27	30	45	
KOVO 16-S/18-L	16-S	18-L	M 24x1.5	M 26x1.5	30	27	45	
KOVO 16-S/22-L	16-S	22-L	M 24x1.5	M 30x2,0	30	30	48	
KOVO 16-S/16-S	16-S	16-S	M 24x1.5	M 24x1.5	30	24	47	
KOVO 16-S/20-S	16-S	20-S	M 24x1.5	M 30x2,0	30	30	50	
KOVO 16-S/25-S	16-S	25-S	M 24x1.5	M 36x2,0	30	36	54	
KOVO 18-L/18-L	18-L	18-L	M 26x1.5	M 26x1.5	32	27	41	
KOVO 18-L/22-L	18-L	22-L	M 26x1.5	M 30x2,0	32	30	44	
KOVO 18-L/28-L	18-L	28-L	M 26x1.5	M 36x2,0	32	36	45	
KOVO 18-L/20-S	18-L	20-S	M 26x1.5	M 30x2,0	32	30	46	
KOVO 18-L/25-S	18-L	25-S	M 26x1.5	M 36x2,0	32	36	50	
KOVO 20-S/22-L	20-S	22-L	M 30x2,0	M 30x2,0	36	30	55	
KOVO 20-S/28-L	20-S	28-L	M 30x2,0	M 36x2,0	36	36	56	
KOVO 20-S/20-S	20-S	20-S	M 30x2,0	M 30x2,0	36	30	57	
KOVO 20-S/25-S	20-S	25-S	M 30x2,0	M 36x2,0	36	36	61	
KOVO 20-S/30-S	20-S	30-S	M 30x2,0	M 42x2,0	36	46	63	
KOVO 22-L/22-L	22-L	22-L	M 30x2,0	M 30x2,0	36	30	48	
KOVO 22-L/28-L	22-L	28-L	M 30x2,0	M 36x2,0	36	36	49	
KOVO 22-L/35-L	22-L	35-L	M 30x2,0	M 45x2,0	36	46	52	
KOVO 22-L/25-S	22-L	25-S	M 30x2,0	M 36x2,0	36	36	54	
KOVO 22-L/30-S	22-L	30-S	M 30x2,0	M 42x2,0	36	46	56	
KOVO 25-S/28-L	25-S	28-L	M 36x2,0	M 36x2,0	46	36	53	*
KOVO 25-S/35-L	25-S	35-L	M 36x2,0	M 45x2,0	46	46	56	*
KOVO 25-S/25-S	25-S	25-S	M 36x2,0	M 36x2,0	46	36	58	*
KOVO 25-S/30-S	25-S	30-S	M 36x2,0	M 42x2,0	46	46	60	*
KOVO 25-S/38-S	25-S	38-S	M 36x2,0	M 52x2,0	46	55	65	*
KOVO 28-L/28-L	28-L	28-L	M 36x2,0	M 36x2,0	41	36	49	*
KOVO 28-L/35-L	28-L	35-L	M 36x2,0	M 45x2,0	41	46	52	*
KOVO 28-L/42-L	28-L	42-L	M 36x2,0	M 52x2,0	41	55	55	
KOVO 28-L/30-S	28-L	30-S	M 36x2,0	M 42x2,0	41	46	56	
KOVO 28-L/38-S	28-L	38-S	M 36x2,0	M 52x2,0	41	55	61	
KOVO 30-S/35-L	30-S	35-L	M 42x2,0	M 45x2,0	50	46	62	
KOVO 30-S/42-L	30-S	42-L	M 42x2,0	M 52x2,0	50	55	65	
KOVO 30-S/30-S	30-S	30-S	M 42x2,0	M 42x2,0	50	46	66	
KOVO 30-S/38-S	30-S	38-S	M 42x2,0	M 52x2,0	50	55	71	*
KOVO 35-L/35-L	35-L	35-L	M 45x2,0	M 45x2,0	50	46	55	
KOVO 35-L/42-L	35-L	42-L	M 45x2,0	M 52x2,0	50	55	58	
KOVO 35-L/38-S	35-L	38-S	M 45x2,0	M 52x2,0	50	55	64	

Order no.	RA1	RA2	T1	T2	SW1 in mm	SW2 in mm	L±2 in mm	Note
KOVO 38-S/42-L	38-S	42-L	M 52x2,0	M 52x2,0	60	55	70	
KOVO 38-S/38-S	38-S	38-S	M 52x2,0	M 52x2,0	60	55	73	
KOVO 42-L/42-L	42-L	42-L	M 52x2,0	M 52x2,0	60	55	68	*

Accessories

O-ring DKOL/DKOS

Optionen

deviating angle and dimensions on request

ADAPTERS

Adapters KOVO 45°

Updated at:
13.01.2023

connection

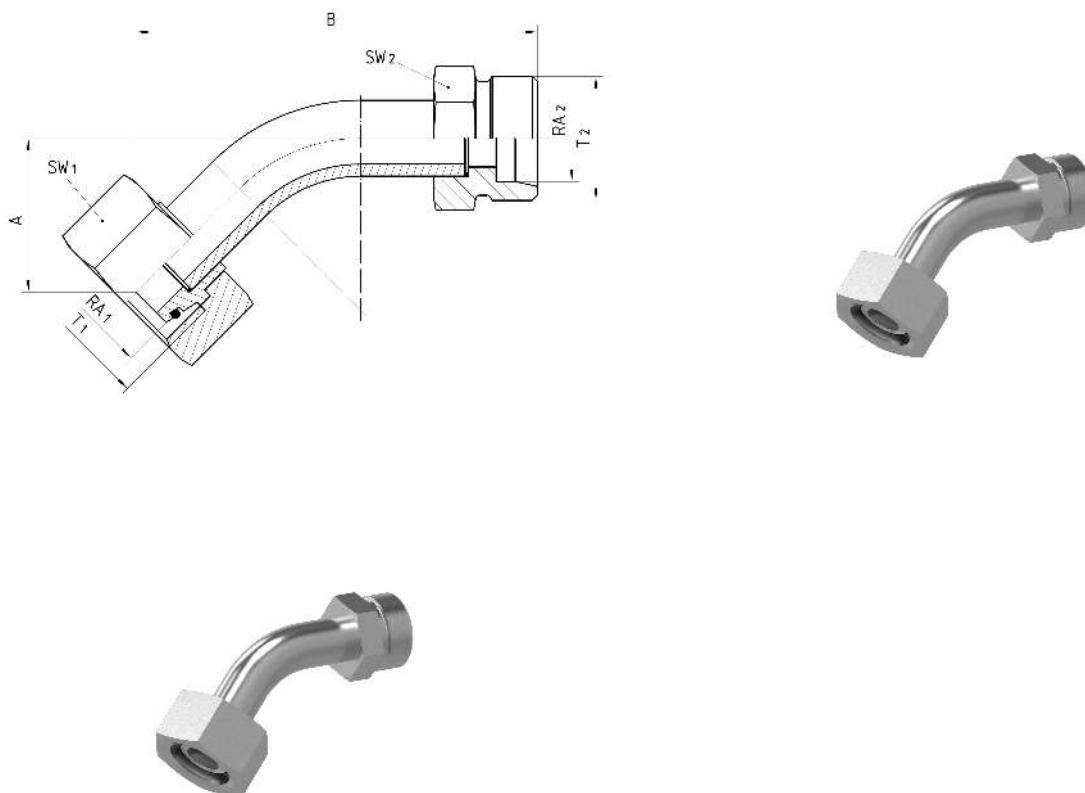
One side: sealing head 24° external cone o-ring sealing with metric nut L / S-series Other side: metric external thread with 24° internal one and pipe connection L / S-series

Material

Steel

Surface protection

Zinc-electroplated



Order no.	RA1	RA2	T1	T2	SW1 in mm	SW2 in mm	A±3 in mm	B±3 in mm	Note
45KOVO 6-L/ 6-L	6-L	6-L	M 12x1.5	M 12x1.5	14	12	17	53	
45KOVO 6-S/ 6-S	6-S	6-S	M 14x1.5	M 14x1.5	17	14	16	53	
45KOVO 8-L/ 8-L	8-L	8-L	M 14x1.5	M 14x1.5	17	14	19	54	
45KOVO 8-S/ 8-S	8-S	8-S	M 16x1.5	M 16x1.5	19	17	19	56	
45KOVO 10- L/10-L	10-L	10-L	M 16x1.5	M 16x1.5	19	17	23	63	
45KOVO 10- S/10-S	10-S	10-S	M 18x1.5	M 18x1.5	22	19	22	55	
45KOVO 12- L/12-L	12-L	12-L	M 18x1.5	M 18x1.5	22	19	20	64	
45KOVO 12- S/12-S	12-S	12-S	M 20x1.5	M 20x1.5	24	22	20	57	

Order no.	RA1	RA2	T1	T2	SW1 in mm	SW2 in mm	A±3 in mm	B±3 in mm	Note
45KOVO 14-S/14-S	14-S	14-S	M 22x1.5	M 22x1.5	27	22	22	63	
45KOVO 15-L/15-L	15-L	15-L	M 22x1.5	M 22x1.5	27	22	23	70	
45KOVO 16-S/16-S	16-S	16-S	M 24x1.5	M 24x1.5	30	24	24	70	
45KOVO 18-L/18-L	18-L	18-L	M 26x1.5	M 26x1.5	32	27	24	68	
45KOVO 20-S/20-S	20-S	20-S	M 30x2,0	M 30x2,0	36	30	27	76	
45KOVO 22-L/22-L	22-L	22-L	M 30x2,0	M 30x2,0	36	30	32	82	
45KOVO 25-S/25-S	25-S	25-S	M 36x2,0	M 36x2,0	46	36	34	91	
45KOVO 28-L/28-L	28-L	28-L	M 36x2,0	M 36x2,0	41	36	32	81	
45KOVO 30-S/30-S	30-S	30-S	M 42x2,0	M 42x2,0	50	46	33	93	
45KOVO 35-L/35-L	35-L	35-L	M 45x2,0	M 45x2,0	50	46	34	89	
45KOVO 38-S/38-S	38-S	38-S	M 52x2,0	M 52x2,0	60	55	45	125	
45KOVO 42-L/42-L	42-L	42-L	M 52x2,0	M 52x2,0	60	55	38	99	*

Accessories

O-ring DKOL/DKOS

Optionen

deviating angle and dimensions on request

Adapters KOVO 90°

Updated at:
14.09.2023

connection

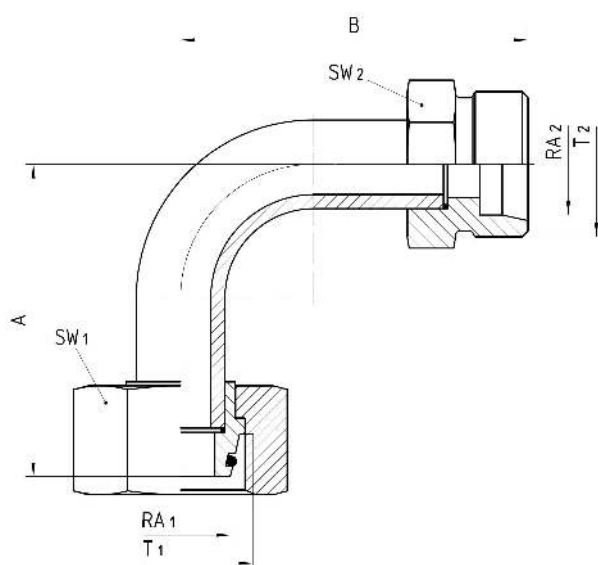
One side: sealing head 24° external cone o-ring sealing with metric nut L / S-series Other side: metric external thread with 24° internal one and pipe connection L / S-series

Material

Steel

Surface protection

Zinc-electroplated



Order no.	RA1	RA2	T1	T2	SW1 in mm	SW2 in mm	A±3 in mm	B±3 in mm
90KOVO 6-L/ 6-L	6-L	6-L	M 12x1.5	M 12x1.5	14	12	26	30
90KOVO 6-S/ 6-S	6-S	6-S	M 14x1.5	M 14x1.5	17	14	26	33
90KOVO 8-L/ 8-L	8-L	8-L	M 14x1.5	M 14x1.5	17	14	30	32
90KOVO 8-S/ 8-S	8-S	8-S	M 16x1.5	M 16x1.5	19	17	32	35
90KOVO 10-L/10-L	10-L	10-L	M 16x1.5	M 16x1.5	19	17	34	40
90KOVO 10-S/10-S	10-S	10-S	M 18x1.5	M 18x1.5	22	19	35	38

Order no.	RA1	RA2	T1	T2	SW1 in mm	SW2 in mm	A±3 in mm	B±3 in mm
90KOVO 12-L/12-L	12-L	12-L	M 18x1.5	M 18x1.5	22	19	34	36
90KOVO 12-S/12-S	12-S	12-S	M 20x1.5	M 20x1.5	24	22	36	40
90KOVO 14-S/14-S	14-S	14-S	M 22x1.5	M 22x1.5	27	22	37	41
90KOVO 15-L/15-L	15-L	15-L	M 22x1.5	M 22x1.5	27	22	43	49
90KOVO 16-S/16-S	16-S	16-S	M 24x1.5	M 24x1.5	30	24	45	49
90KOVO 18-L/18-L	18-L	18-L	M 26x1.5	M 26x1.5	32	27	52	54
90KOVO 20-S/20-S	20-S	20-S	M 30x2,0	M 30x2,0	36	30	54	59
90KOVO 22-L/22-L	22-L	22-L	M 30x2,0	M 30x2,0	36	30	62	68
90KOVO 25-S/25-S	25-S	25-S	M 36x2,0	M 36x2,0	46	36	65	77
90KOVO 28-L/28-L	28-L	28-L	M 36x2,0	M 36x2,0	41	36	71	77
90KOVO 30-S/30-S	30-S	30-S	M 42x2,0	M 42x2,0	50	46	76	90
90KOVO 35-L/35-L	35-L	35-L	M 45x2,0	M 45x2,0	50	46	84	91
90KOVO 38-S/38-S	38-S	38-S	M 52x2,0	M 52x2,0	60	55	87	96
90KOVO 42-L/42-L	42-L	42-L	M 52x2,0	M 52x2,0	60	55	90	100

Accessories

O-ring DKOL/DKOS

Optionen

deviating angle and dimensions on request

Adapters

Weld-on branch

Updated at:
24.05.2022

Connection

metric external thread with 60° internal cone LL series for weld-on

Standard

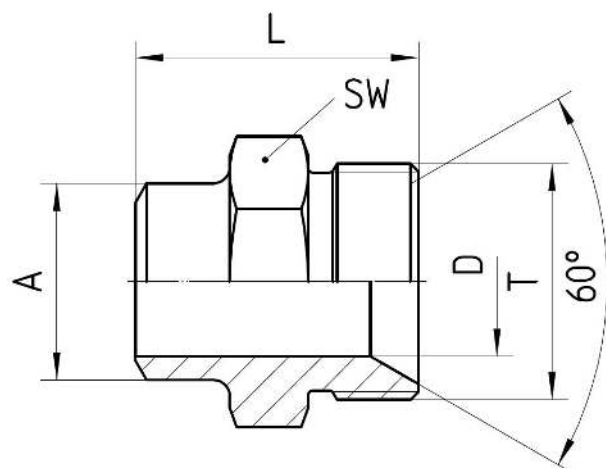
DIN 7631

Material

Steel

Surface protection

Zinc-electroplated



Order no.	DN in mmm	T1	SW in mm	A in mm	D in mm	L ±3 in mm
AS M 30x1.5	20	M 30x1.5	32	25,0	19	36
AS M 38x1.5	25	M 38x1.5	41	32,0	25	38
AS M 45x1.5	32	M 45x1.5	46	38,0	31	42
AS M 52x1.5	38	M 52x1.5	55	46,0	38	44
AS M 65x2	51	M 65x2.0	65	61,0	50	46
AS M 78x2	60	M 78x2.0	80	76,5	60	47

Adapters

Threaded branch

Updated at:
24.05.2022

Connection

metric external thread with 60° internal cone LL series

Standard

DIN 7631 / DIN 3852

Application

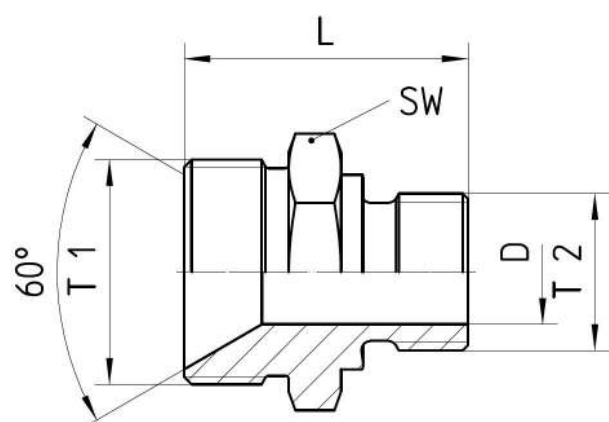
for suction and return lines

Material

Steel

Surface protection

Zinc-electroplated



ADAPTERS

Order no.	DN in mm	T1	T2	SW in mm	D in mm	L ±3 in mm
GE M 52x1.5 G 1 1/4	38	M 52x1.5	G 1 1/4	55	30	54
GE M 52x1.5 G 1 1/2	38	M 52x1.5	G 1 1/2	55	39	56
GE M 65x2 G 1 1/2	51	M 65x2,0	G 1 1/2	75	39	57
GE M 65x2 G 2	51	M 65x2,0	G 2	75	50	57
GE M 78x2 G 2	60	M 78x2,0	G 2	90	50	57
GE M 78x2 G 2 1/2	60	M 78x2,0	G 2 1/2	90	56	59

Adapters

Straight connector

Updated at:
24.05.2022

Connection

both sides: external thread with 60° internal cone LL series

Standard

DIN 7631

Application

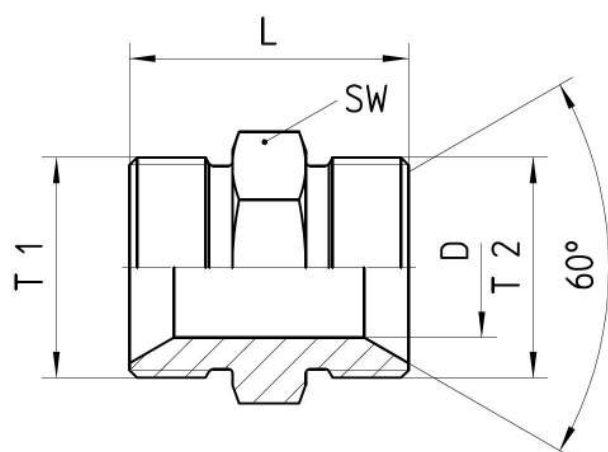
for suction and return lines

Material

Steel

Surface protection

Zinc-electroplated



Order no.	DN in mm	T1	T2	SW in mm	D in mm	L ±3 in mm
G M 30x1.5/M 30x1.5	20	M 30x1.5	M 30x1.5	32	19	38
G M 38x1.5/M 38x1.5	25	M 38x1.5	M 38x1.5	41	25	45
G M 45x1.5/M 45x1.5	32	M 45x1.5	M 45x1.5	46	32	50
G M 52x1.5/M 52x1.5	38	M 52x1.5	M 52x1.5	55	39	50
G M 65x2/M 65x2	51	M 65x2.0	M 65x2.0	75	50	52
G M 78x2/M 78x2	60	M 78x2.0	M 78x2.0	90	56	52

Dipl. Ing. K. Dietzel GmbH

D 04626 **Beerwalde**
Leedenstraße 10

Phone: +49 (36602) 140-0
Fax: +49 (36602) 140-809

Email: info@dietzel-hydraulik.de

Sales

Phone: +49 (36602) 140-140
Fax: +49 (36602) 3 47 27

Email: vertrieb@dietzel-hydraulik.de

For more information scan here:



www.dietzel-hydraulik.de